

LUB-MET®



BRONZE SLIDING BEARING WITH SOLID LUBRICANT IN SLIDING LAYER,
MAINTENANCE-FREE

LUB-MET® sliding bearing



Types	LMZ Cylindrical bushing	LMB Flanged bushing	LMA Thrust washer	LMS Stripes
-------	----------------------------	------------------------	----------------------	----------------

TECHNICAL DATA

Description	Solid bronze sliding bearing with solid lubricant in sliding layer, Maintenance-free
Properties	For high operational demands (also impact load), oscillating movements, wear-resistant, unsusceptible to dirt, corrosion resistant, long length of life.
Material*	Standard material CuZn25Al5 / ASTM C86300

MATERIAL PROPERTIES **

Specific load capacity static	≤ 150	[N/mm ²]
Specific load capacity dynamic	≤ 100	[N/mm ²]
Sliding speed	≤ 0,3 - 1,0	[m/s]
Friction value	0,03 - 0,20	[μ] lubricated / dry
Temperature strain	-100 - +300	[C°]
Max. Pv - value	1,5	[N/mm ² x m/s]
Hardness	190 - 220	[HB]
Solid lubricant share	Approx. 25-30	[%]

TOLERANCE DETAILS

Housing – Ø Bushing after mounting Shaft tolerance	H7 Information after consulting. Delivered bushings with tolerances: r6/E7 f7 / h6
Shaft material	The hardness difference to the bearing should be 100HB at least, preferably hardened and dressed to size, surface roughness ≤ Rz 6,3.

MOUNTING ADVISE

Housing – Ø Shaft Force fitting mandrel	Mounting bevel, min. 1,5 mm x 15-45° Mounting bevel, 5 mm x 15°, edges rounded The application of an adequate force fitting mandrel is advisable. Grease lubrication of the outer surface may be necessary when mounting.
Maintenance	LUB-MET® is a maintenance-free sliding bearing, but primary lubrication is necessary! Therefore a none-ageing lithium stiffened grease should be used.

Cylindrical and flanged bushings, thrust washer strips are standard fabrication.
Custom sizes are manufactured in a short term!

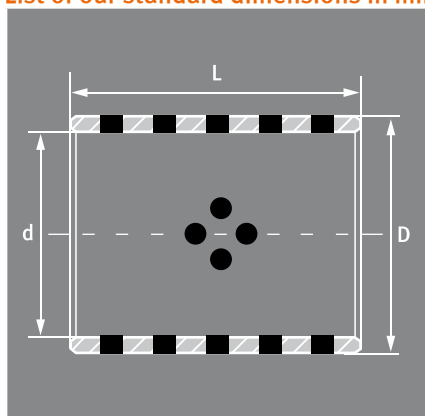
* ADDITIONAL METAL ALLOYS	YIELD STRENGHT N/mm ²	TENSILE STRENGHT N/mm ²	HARDNESS/HB 10
CuPb15Sn / ASTM C93900	110	220	65
CuSn7ZnPb2 / ASTM C93200	130	270	75
CuSn12 / ASTM C90800	150	280	95
CuAl10Ni / ASTM C95500	300	700	160

* As a special design additional sliding alloys are available.

** The above stated material properties are valid for optimal operating conditions. Through changes of the application conditions e.g. higher sliding speed or strain, these values are subject to change.

LMZ = Cylindrical bushing

List of our standard dimensions in mm.

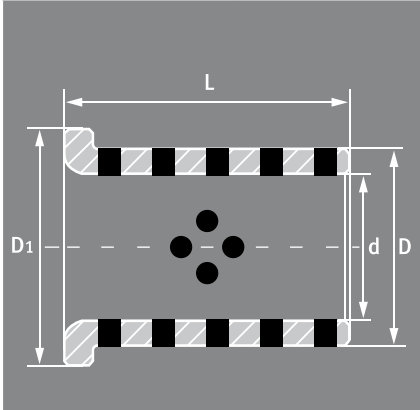


LHG description	d / D x L	LHG description	d / D x L
LMZ806-101408	10/14x8	LMZ806-162220	16/22x20
LMZ806-101410	10/14x10	LMZ806-162225	16/22x25
LMZ806-101412	10/14x12	LMZ806-162230	16/22x30
LMZ806-101415	10/14x15	LMZ806-162235	16/22x35
LMZ806-101420	10/14x20	LMZ806-162240	16/22x40
LMZ806-121808	12/18x8	LMZ806-182412	18/24x12
LMZ806-121810	12/18x10	LMZ806-182415	18/24x15
LMZ806-121812	12/18x12	LMZ806-182420	18/24x20
LMZ806-121815	12/18x15	LMZ806-182425	18/24x25
LMZ806-121816	12/18x16	LMZ806-182430	18/24x30
LMZ806-121819	12/18x19	LMZ806-202810	20/28x10
LMZ806-121820	12/18x20	LMZ806-202812	20/28x12
LMZ806-121825	12/18x25	LMZ806-202816	20/28x16
LMZ806-121830	12/18x30	LMZ806-202819	20/28x19
LMZ806-131910	13/19x10	LMZ806-202820	20/28x20
LMZ806-131912	13/19x12	LMZ806-202825	20/28x25
LMZ806-131915	13/19x15	LMZ806-202830	20/28x30
LMZ806-131920	13/19x20	LMZ806-202835	20/28x35
LMZ806-142010	14/20x10	LMZ806-202840	20/28x40
LMZ806-142012	14/20x12	LMZ806-202850	20/28x50
LMZ806-142015	14/20x15	LMZ806-253312	25/33x12
LMZ806-142020	14/20x20	LMZ806-253316	25/33x16
LMZ806-142025	14/20x25	LMZ806-253320	25/33x20
LMZ806-142030	14/20x30	LMZ806-253325	25/33x25
LMZ806-152110	15/21x10	LMZ806-253330	25/33x30
LMZ806-152112	15/21x12	LMZ806-253335	25/33x35
LMZ806-152115	15/21x15	LMZ806-253340	25/33x40
LMZ806-152120	15/21x20	LMZ806-253350	25/33x50
LMZ806-152125	15/21x25	LMZ806-303815	30/38x15
LMZ806-152130	15/21x30	LMZ806-303820	30/38x20
LMZ806-162210	16/22x10	LMZ806-303825	30/38x25
LMZ806-162212	16/22x12	LMZ806-303830	30/38x30
LMZ806-162215	16/22x15	LMZ806-303835	30/38x35
LMZ806-162216	16/22x16	LMZ806-303840	30/38x40
LMZ806-162219	16/22x19	LMZ806-303850	30/38x50
		LMZ806-303860	30/38x60
		LMZ806-354520	35/45x20
		LMZ806-354525	35/45x25
		LMZ806-354530	35/45x30
		LMZ806-354535	35/45x35
		LMZ806-354540	35/45x40
		LMZ806-354545	35/45x45
		LMZ806-354550	35/45x50
		LMZ806-354560	35/45x60
		LMZ806-405020	40/50x20
		LMZ806-405025	40/50x25
		LMZ806-405030	40/50x30
		LMZ806-405035	40/50x35
		LMZ806-405040	40/50x40
		LMZ806-405050	40/50x50
		LMZ806-405060	40/50x60
		LMZ806-405070	40/50x70
		LMZ806-405080	40/50x80
		LMZ806-455530	45/55x30
		LMZ806-455535	45/55x35
		LMZ806-455540	45/55x40
		LMZ806-455545	45/55x45
		LMZ806-455550	45/55x50
		LMZ806-455560	45/55x60
		LMZ806-455570	45/55x70
		LMZ806-506030	50/60x30
		LMZ806-506035	50/60x35
		LMZ806-506040	50/60x40
		LMZ806-506050	50/60x50
		LMZ806-506060	50/60x60
		LMZ806-506070	50/60x70
		LMZ806-557035	55/70x35
		LMZ806-557040	55/70x40
		LMZ806-557045	55/70x45
		LMZ806-557050	55/70x50
		LMZ806-557060	55/70x60
		LMZ806-557070	55/70x70
		LMZ806-607530	60/75x30
		LMZ806-607535	60/75x35
		LMZ806-607540	60/75x40
		LMZ806-607545	60/75x45
		LMZ806-607550	60/75x50
		LMZ806-607560	60/75x60
		LMZ806-607570	60/75x70
		LMZ806-607580	60/75x80
		LMZ806-6075100	60/75x100
		LMZ806-658050	65/80x50
		LMZ806-658060	65/80x60
		LMZ806-658070	65/80x70
		LMZ806-658080	65/80x80
		LMZ806-708535	70/85x35
		LMZ806-708540	70/85x40
		LMZ806-708545	70/85x45
		LMZ806-708550	70/85x50
		LMZ806-708560	70/85x60
		LMZ806-708570	70/85x70
		LMZ806-708580	70/85x80

Sliding bearings for
Engine Construction

LMZ = Cylindrical bushing LMB = Flanged bushing

List of our standard dimensions in mm.

LHG description	d / D x L			LHG description	d / D / D ₁ x L
				LHG description	d / D / D ₁ x L
LMZ806-7085100	70/85x100			LMB806-253525	25/35/45x25
LMZ806-759050	75/90x50			LMB806-253530	25/35/45x30
LMZ806-759060	75/90x60			LMB806-253535	25/35/45x35
LMZ806-759070	75/90x70			LMB806-253540	25/35/45x40
LMZ806-759080	75/90x80			LMB806-253550	25/35/45x50
LMZ806-7590100	75/90x100			LMB806-304020	30/40/50x20
LMZ806-8010040	80/100x40			LMB806-304025	30/40/50x25
LMZ806-8010045	80/100x45			LMB806-304030	30/40/50x30
LMZ806-8010050	80/100x50			LMB806-304035	30/40/50x35
LMZ806-8010060	80/100x60			LMB806-304040	30/40/50x40
LMZ806-8010080	80/100x80			LMB806-304050	30/40/50x50
LMZ806-80100100	80/100x100			LMB806-354520	35/45/60x20
LMZ806-80100140	80/100x140			LMB806-354525	35/45/60x25
LMZ806-9011060	90/110x60			LMB806-354530	35/45/60x30
LMZ806-9011080	90/110x80			LMB806-354535	35/45/60x35
LMZ806-90110100	90/110x100			LMB806-354540	35/45/60x40
LMZ806-90110120	90/110x120			LMB806-354550	35/45/60x50
LMZ806-10012060	100/120x60			LMB806-405020	40/50/65x20
LMZ806-10012070	100/120x70			LMB806-405025	40/50/65x25
LMZ806-10012080	100/120x80			LMB806-405030	40/50/65x30
LMZ806-100120100	100/120x100			LMB806-405035	40/50/65x35
LMZ806-100120120	100/120x120			LMB806-405040	40/50/65x40
LMZ806-100120140	100/120x140			LMB806-405050	40/50/65x50
LMZ806-11013080	110/130x80			LMB806-405060	40/50/65x60
LMZ806-110130100	110/130x100			LMB806-455530	45/55/70x30
LMZ806-110130120	110/130x120			LMB806-455540	45/55/70x40
LMZ806-12014060	120/140x60			LMB806-455550	45/55/70x50
LMZ806-12014080	120/140x80			LMB806-455560	45/55/70x60
LMZ806-120140100	120/140x100			LMB806-506030	50/60/75x30
LMZ806-130150100	130/150x100			LMB806-506035	50/60/75x35
LMZ806-14016080	140/160x80			LMB806-506040	50/60/75x40
LMZ806-140160100	140/160x100			LMB806-506050	50/60/75x50
LMZ806-15017080	150/170x80			LMB806-506060	50/60/75x60
LMZ806-150170100	150/170x100			LMB806-557040	55/70/80x40
LMZ806-150170150	150/170x150			LMB806-557060	55/70/80x60
LMZ806-16018080	160/180x80			LMB806-607540	60/75/90x40
LMZ806-160180100	160/180x100			LMB806-607560	60/75/90x60
LMZ806-160180150	160/180x150			LMB806-607570	60/75/90x70
				LMB806-658040	65/80/95x40
				LMB806-658060	65/80/95x60
				LMB806-658080	65/80/95x80
				LMB806-708550	70/85/105x50
				LMB806-708580	70/85/105x80
				LMB806-759060	75/90/110x60
				LMB806-759080	75/90/110x80
				LMB806-8010040	80/100/120x40
				LMB806-203015	20/30/40x15
				LMB806-203020	20/30/40x20
				LMB806-203025	20/30/40x25
				LMB806-203030	20/30/40x30
				LMB806-203035	20/30/40x35
				LMB806-203040	20/30/40x40
				LMB806-253515	25/35/45x15
				LMB806-253520	25/35/45x20

Custom sizes are produced in a short term

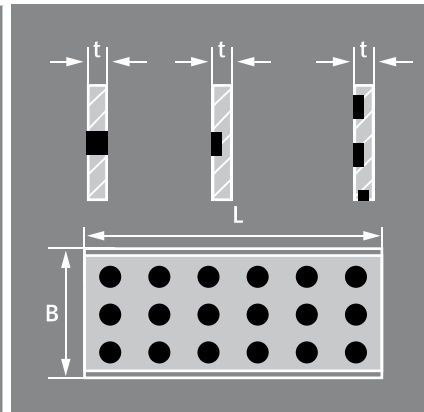
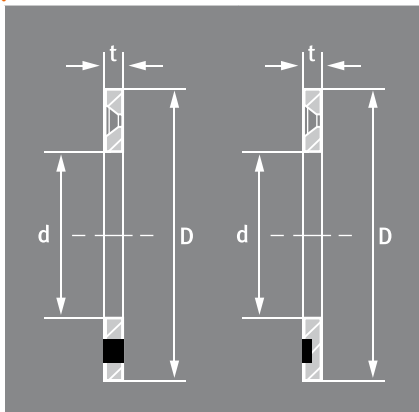
LMB = Flanged bushing

LMA = Thrust washer

LMS = Stripes & Plates

List of our standard dimensions in mm.

LHG description	d / D / D ₁ x L
LMB806-8010060	80/100/120x60
LMB806-8010080	80/100/120x80
LMB806-80100100	80/100/120x100
LMB806-9011040	90/110/130x40
LMB806-9011060	90/110/130x60
LMB806-9011080	90/110/130x80
LMB806-90110100	90/110/130x100
LMB806-10012060	100/120/150x60
LMB806-10012080	100/120/150x80
LMB806-100120100	100/120/150x100
LMB806-12014060	120/140/170x60
LMB806-12014080	120/140/170x80



LHG description	d / D / t
LMA806-103003	10,2/30x3
LMA806-124003	12,2/40x3
LMA806-134003	13,3/40x3
LMA806-145003	14,2/50x3
LMA806-155003	15,2/50x3
LMA806-165003	16,2/50x3
LMA806-185003	18,2/50x3
LMA806-205005	20,2/50x5
LMA806-255505	25,2/55x5
LMA806-306005	30,2/60x5
LMA806-357005	35,2/70x5
LMA806-408007	40,2/80x7
LMA806-459007	45,2/90x7
LMA806-5010008	50,3/100x8
LMA806-5511008	55,3/110x8
LMA806-6012008	60,3/120x8
LMA806-6512508	65,3/125x8
LMA806-7013010	70,3/130x10
LMA806-7514010	75,3/140x10
LMA806-8015010	80,3/150x10
LMA806-9017010	90,5/170x10
LMA806-10019010	100,5/190x10
LMA806-12020010	120,5/200x10

LHG description	B x L x t
LMS806-1810010	18x100x10
LMS806-1812510	18x125x10
LMS806-1815010	18x150x10
LMS806-287510	28x75x10
LMS806-2810010	28x100x10
LMS806-2812510	28x125x10
LMS806-2815010	28x150x10
LMS806-3510010	35x100x10
LMS806-3515010	35x150x10
LMS806-3520010	35x200x10
LMS806-3525010	35x250x10
LMS806-3530010	35x300x10
LMS806-3535010	35x350x10
LMS806-387510	38x75x10
LMS806-3810010	38x100x10
LMS806-3812510	38x125x10
LMS806-487510	48x75x10
LMS806-4810010	48x100x10
LMS806-4812510	48x125x10
LMS806-4815010	48x150x10
LMS806-5010010	50x100x10
LMS806-5015010	50x150x10
LMS806-5020010	50x200x10
LMS806-5025010	50x250x10
LMS806-5030010	50x300x10
LMS806-5040010	50x400x10
LMS806-7510010	75x150x10
LMS806-7520010	75x200x10
LMS806-7525010	75x250x10
LMS806-7530010	75x300x10
LMS806-7540010	75x400x10
LMS806-7550010	75x500x10

Sliding bearings for
Engine Construction